

2-1969612-0 ✓ ACTIVE

VAL-U-LOK

TE Internal #: 2-1969612-0

Rectangular Power Connectors, Housing, Plug, Wire-to-Wire, 20

Position, 4.2 mm [.165 in] Centerline, Wire & Cable, UL 94V-0

[View on TE.com >](#)



Connectors > Power Connectors > Rectangular Power > Rectangular Power Connectors



Rectangular Power Connector Type: **Housing**

Connector & Housing Type: **Plug**

Connector System: **Wire-to-Wire**

Number of Positions: **20**

Centerline (Pitch): **4.2 mm [.165 in]**

Features

Product Type Features

Rectangular Power Connector Type	Housing
Connector & Housing Type	Plug
Connector System	Wire-to-Wire
Sealable	No
Connector & Contact Terminates To	Wire & Cable

Configuration Features

Number of Positions	20
Number of Rows	2

Electrical Characteristics

Operating Voltage	600 VAC
-------------------	---------

Contact Features

Contact Retention Within Housing	Without
Contact Type	Pin

Termination Features



Termination Method to Wire & Cable	Crimp
------------------------------------	-------

Mechanical Attachment

Connector Mounting Type	Cable Mount (Free-Hanging)
-------------------------	----------------------------

Housing Features

Centerline (Pitch)	4.2 mm [.165 in]
--------------------	------------------

Housing Color	Natural
---------------	---------

Housing Material	Nylon 6/6
------------------	-----------

Dimensions

Row-to-Row Spacing	4.2 mm [.165 in]
--------------------	------------------

Height	11.6 mm [.457 in]
--------	-------------------

Length	43.2 mm [1.7 in]
--------	------------------

Width	23.8 mm [.937 in]
-------	-------------------

Usage Conditions

Operating Temperature Range	-40 – 105 °C [-40 – 221 °F]
-----------------------------	-----------------------------

Operation/Application

Circuit Application	Power & Signal
---------------------	----------------

Industry Standards

UL Flammability Rating	UL 94V-0
------------------------	----------

Glow Wire Rating	Standard Part - Not Glow Wire
------------------	-------------------------------

UL Rating	Recognized
-----------	------------

Agency/Standard Number	E28476
------------------------	--------

CSA File Number	208567
-----------------	--------

Agency/Standard	CSA, UL
-----------------	---------

Packaging Features

Packaging Method	Bag
------------------	-----

Packaging Quantity	500
--------------------	-----

Product Compliance

[For compliance documentation, visit the product page on TE.com>](#)

EU RoHS Directive 2011/65/EU	Compliant
------------------------------	-----------

EU ELV Directive 2000/53/EC	Not Yet Reviewed
-----------------------------	------------------

China RoHS 2 Directive MIIT Order No 32, 2016	No Restricted Materials Above Threshold
---	---



EU REACH Regulation (EC) No. 1907/2006

Current ECHA Candidate List: JUNE 2022 (224)

Candidate List Declared Against: JAN 2019 (197)

Does not contain REACH SVHC

Halogen Content

Low Halogen - Br, Cl, F, I < 900 ppm per homogenous material. Also BFR/CFR/PVC Free

Solder Process Capability

Not reviewed for solder process capability

Product Compliance Disclaimer

This information is provided based on reasonable inquiry of our suppliers and represents our current actual knowledge based on the information they provided. This information is subject to change. The part numbers that TE has identified as EU RoHS compliant have a maximum concentration of 0.1% by weight in homogenous materials for lead, hexavalent chromium, mercury, PBB, PBDE, DBP, BBP, DEHP, DIBP, and 0.01% for cadmium, or qualify for an exemption to these limits as defined in the Annexes of Directive 2011/65/EU (RoHS2). Finished electrical and electronic equipment products will be CE marked as required by Directive 2011/65/EU. Components may not be CE marked. Additionally, the part numbers that TE has identified as EU ELV compliant have a maximum concentration of 0.1% by weight in homogenous materials for lead, hexavalent chromium, and mercury, and 0.01% for cadmium, or qualify for an exemption to these limits as defined in the Annexes of Directive 2000/53/EC (ELV). Regarding the REACH Regulation, the information TE provides on SVHC in articles for this part number is based on the latest European Chemicals Agency (ECHA) 'Guidance on requirements for substances in articles' posted at this URL: <https://echa.europa.eu/guidance-documents/guidance-on-reach>

Compatible Parts



TE Part # 2-1586040-0
20P VAL-U-LOK VRT HDR W/P V0



TE Part # 2-1586019-0
20P RCPT VAL-U-LOK V0



TE Part # 2-1586038-0
20P VRT HDR VAL-U-LOK V0



TE Part # 2-1586044-0
20P VAL-U-LOK R/A HDR SCRMT V0



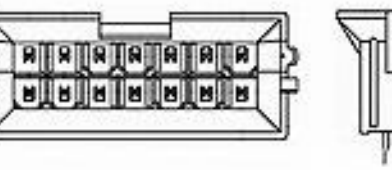
TE Part # 2-1969614-0
20P RCPT VAL-U-LOK V0



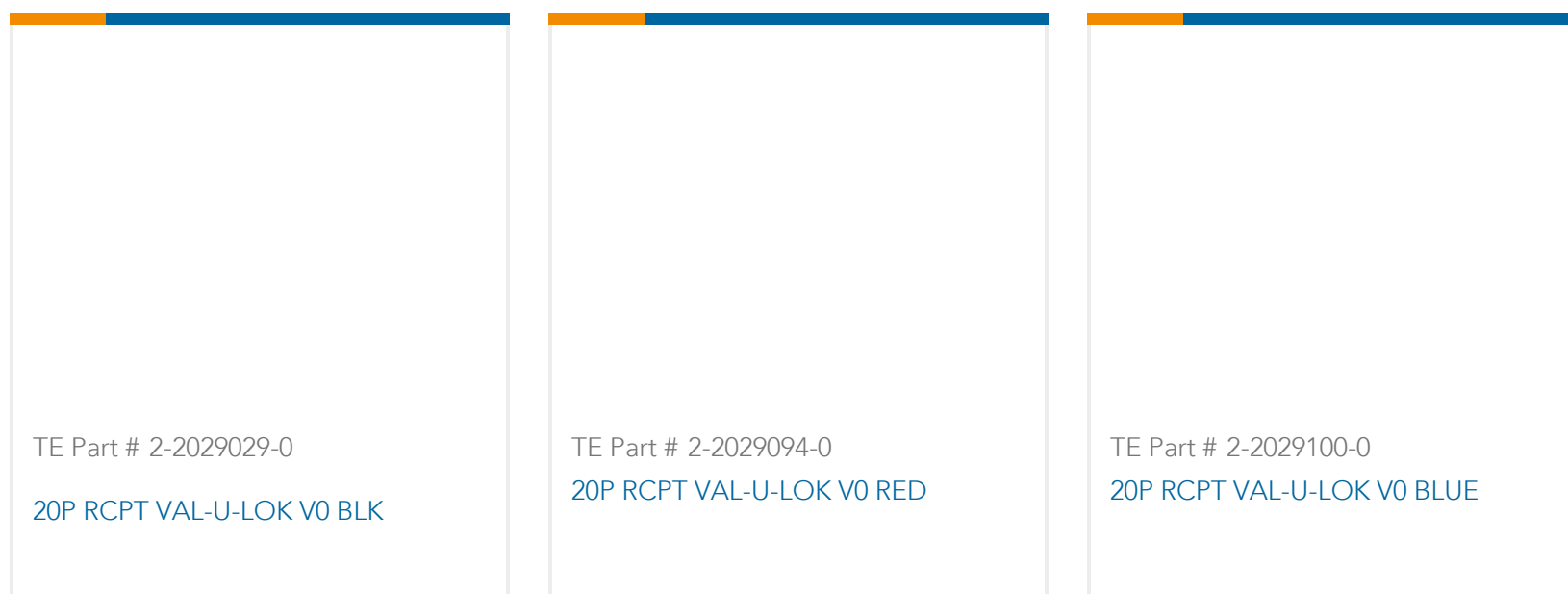
TE Part # 2-1586042-0
20P VAL-U-LOK R/A HDR V0



TE Part # 2-1586587-0
20P VAL-U-LOK BMI VRT HDR V0



TE Part # 2-1586588-0
20P VAL-U-LOK BMI VRT HDR V0



Documents

Product Drawings

20P FH PLUG VAL-U-LOK V0

English

CAD Files

3D PDF

3D

Customer View Model

[ENG_CVM_CVM_2-1969612-0_A_c-2-1969612-0-a.2d_dxf.zip](#)

English

Customer View Model

[ENG_CVM_CVM_2-1969612-0_A_c-2-1969612-0-a.3d_igs.zip](#)

English

Customer View Model

[ENG_CVM_CVM_2-1969612-0_A_c-2-1969612-0-a.3d_stp.zip](#)

English

By downloading the CAD file I accept and agree to the [Terms and Conditions](#) of use.

Datasheets & Catalog Pages

1-1773730-3 VAL-U-LOK Connectors with TPA Flyer

English

Product Specifications

Application Specification

English

Agency Approvals

UL Report

English